

Model No: BC18WG59-04
 Product Line: Tymphany

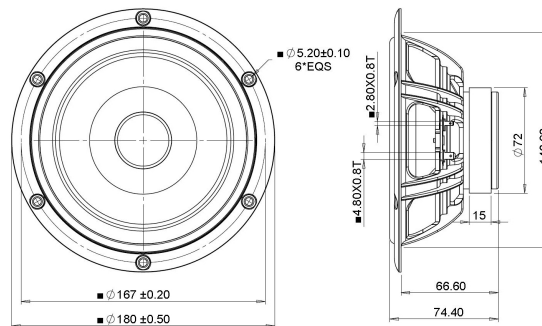
Rev: 1
 Last Update: 2017-04-21 12:39:42

Product Description

This 6.5 inch 4 ohm woofer member of the BC product family features a coated paper cone, rubber surround, and powerful voice coil suspended in a ferrite motor. It allows high excursion and features a rigid plastic basket. It is designed to be a high performance transducer.



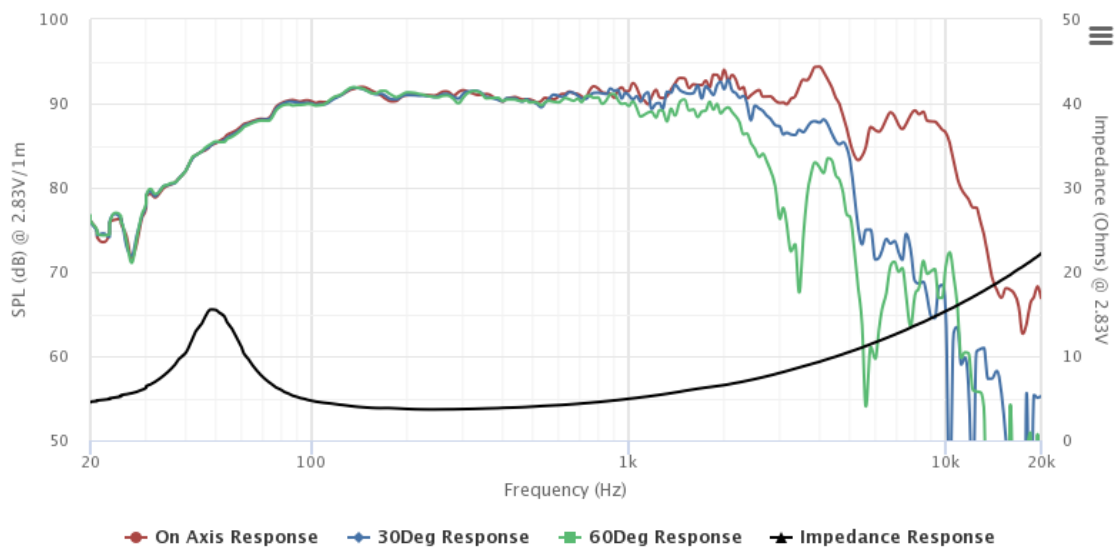
Mechanical Drawing



Specifications

DC Resistance	Revc	Ohms	3.02	5.0%	Energy Bandwidth Product	EBP	(1/Qes)*fs	75.68
Minimum Impedance	Zmin	Ohms	3.67	7.5%	Moving Mass	Mms	g	12.4
Voice Coil Inductance	Le	mH	0.16		Suspension Compliance	Cms	um/N	646.8
Resonant Frequency	Fs	Hz	56.12	15%	Effective Cone diameter	D	cm	13.3
Mechanical Q Factor	Qms		3.04		Effective Piston Area	Sd	cm ²	138.9
Electrical Q Factor	Qes		0.74		Effective Volume	Vas	L	17.53
Total Q Factor	Qts		0.6		Motor Force Factor	BL	Tm	4.23
Ratio Fs/Qts	F	Fs/Qts	94.32		Motor Efficiency Factor	β	(T*M ²)/Ohms	5.9
Half Space Sensitivity @2.83V	db@2.83V/1M	dB	91.08	+/- 1.0db	Voice coil former Material	VCfm		ASV
Half Space Sensitivity @1W/1M	db@1W/1M	dB	87.7	+/- 1.0db	Voice coil inner diameter	VCd	mm	25.86
Gap Height	Gh	mm	4		Rated Noise Power	P	W	30
Maximum Linear Excursion	Xmax	mm	3.8		Test Spectrum Bandwidth		20Hz-20KHz	
Ferrofluid Type	FF		N/A		Driver Size	Inch	6.5 in	
Driver Mass	Kg		0.7					

Frequency and Impedance Response



Highcharts.com