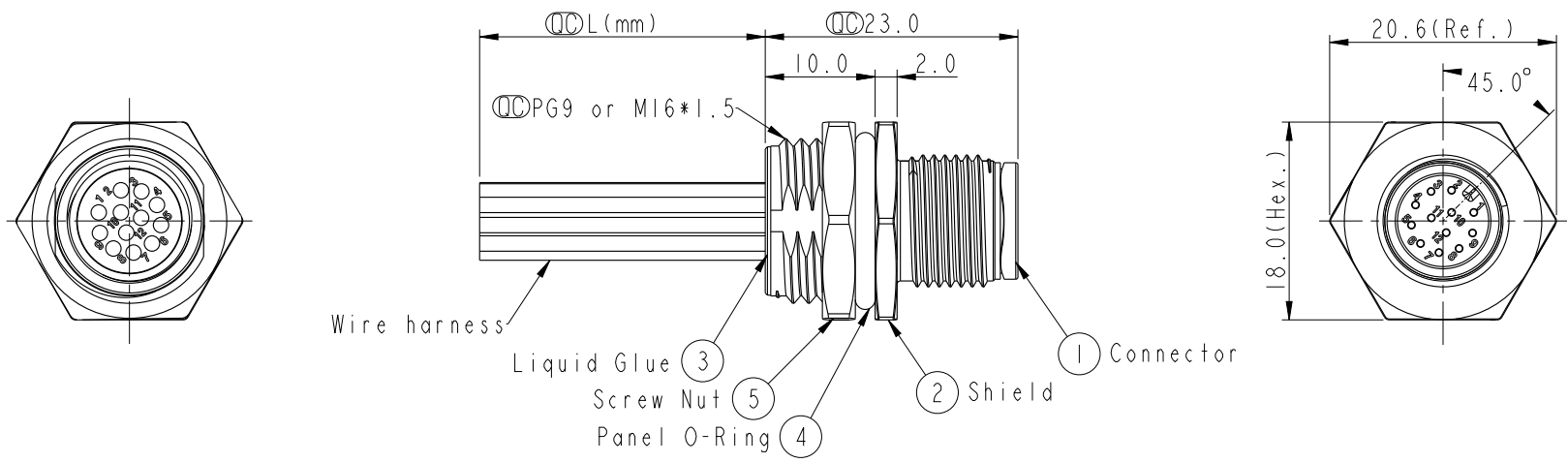
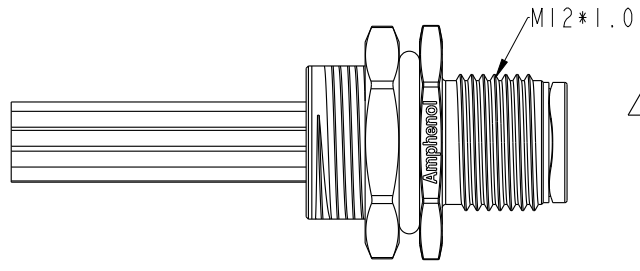


THIS DOCUMENT IS SUBJECT TO CHANGE WITHOUT NOTICE. IT IS CONFIDENTIAL AND A PROPERTY OF Amphenol LTW. DISCLOSURE TO THIRD PARTY HAS TO BE AUTHORIZED BY Amphenol LTW.

REV.	ECN NO.	DATE	SIGN	DESCRIPTION
B	LE31570262~271	2015/07/23	Yulong_wang	Change to Share Drawing.
C	LEN1680581~592 LEN1680604~605	2016/08/08	Yulong_wang	Add 6Pin & IP69K.

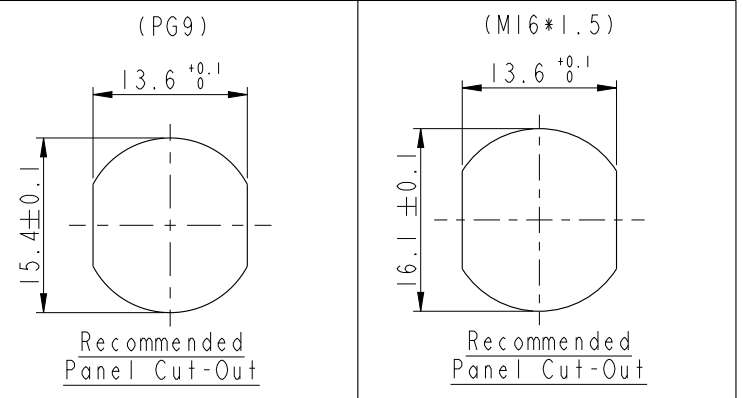


ALTW
CONFIDENTIAL
2016-08-08
R&D DEPT.



- Notes:
- * \varnothing Important Dimension.
 - * \triangle Waterproof Rate: IP68, IP69K.
 - * Connector: Nylon+GF, Black.
 - * Male Pin: Copper Alloy, Gold Plated.
 - * Shield: Zinc Alloy, Nickel Plated.
 - * Screw Nut: Zinc Alloy, Nickel Plated.
 - * Panel O-Ring: Viton, Black.
 - * Wire harness: UL1061
 - * Rated Voltage: 3 & 4Pin 250V dc. or ac.
5Pin 60V dc. or ac.
6~12Pin 30V dc. or ac.
 - * Rated Current: 3~5Pin 4A
6~8Pin 2A
10~12Pin 1.5A
 - * Operating Temperature: -25~85°C
 - * For Panel Thickness Max 4.5mm.
 - * Nut Torque: 4-6 Kgf.cm.
 - * Wire harness Tolerance: 150~300 ±15mm
301~1000 ±20mm
Over1000 ±40mm

ALTW
DCC. DEPT.
CONFIDENTIAL
2016.08.16
ISSUED



UNIT: mm		TITLE		ITEM NO	DRAWN BY	DATE	
		M12 A-Code Male Conn. Panel Rear With Wire harness					DWG NO
TOLERANCE		SCALE	SIZE	SHEET	CUSTOMER	APPROVED BY	DATE
.X ±0.25		3:2	A4	1 OF 2	ALTW	Jerry	2016-08-08
.XX ±0.1		REV. C	WC-REV. A.3	\varnothing : Inspection item			
.XXX ±0.05							
ANGLES ±1°							

Amphenol LTW
安費諾亮泰企業股份有限公司

