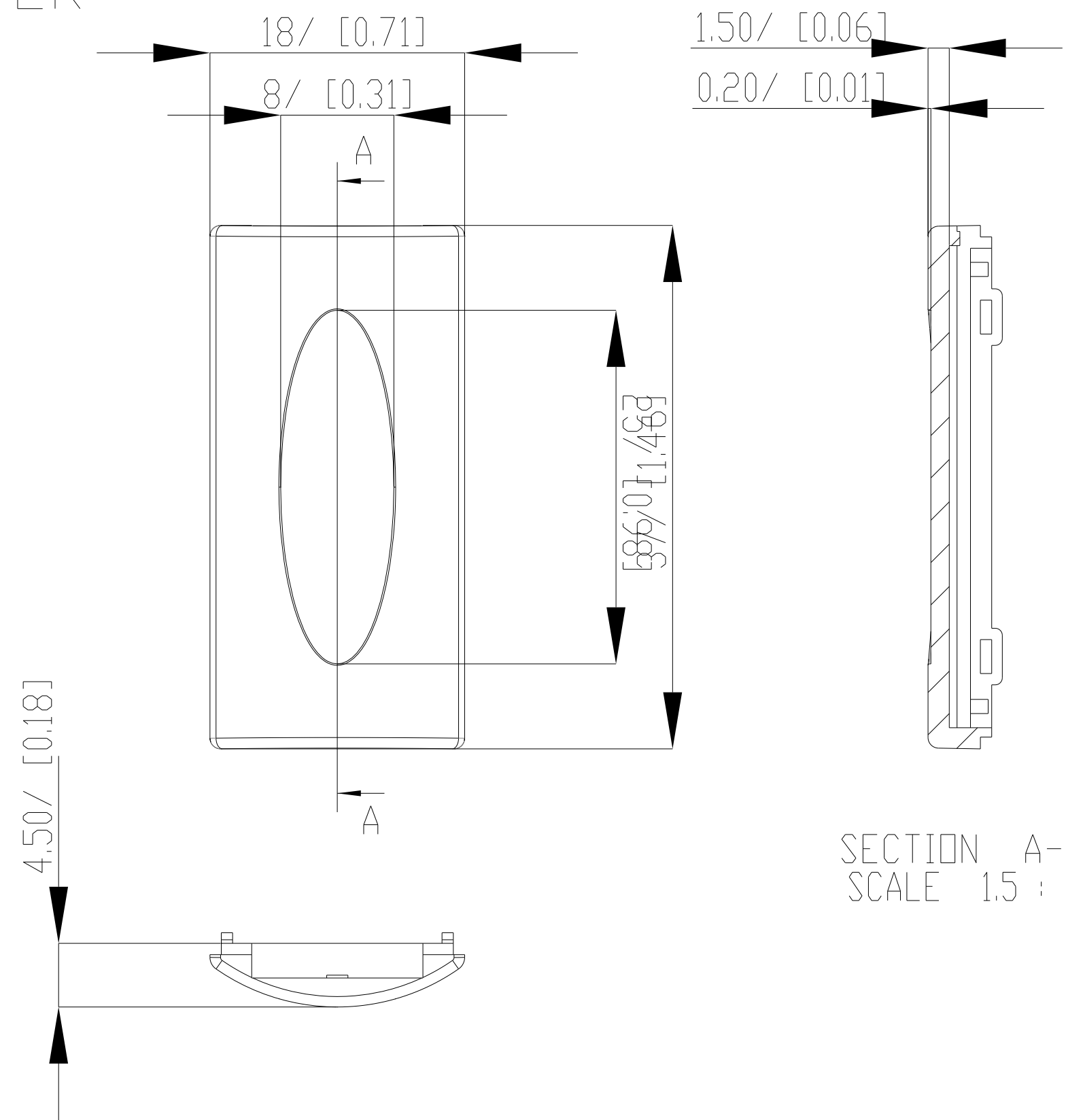
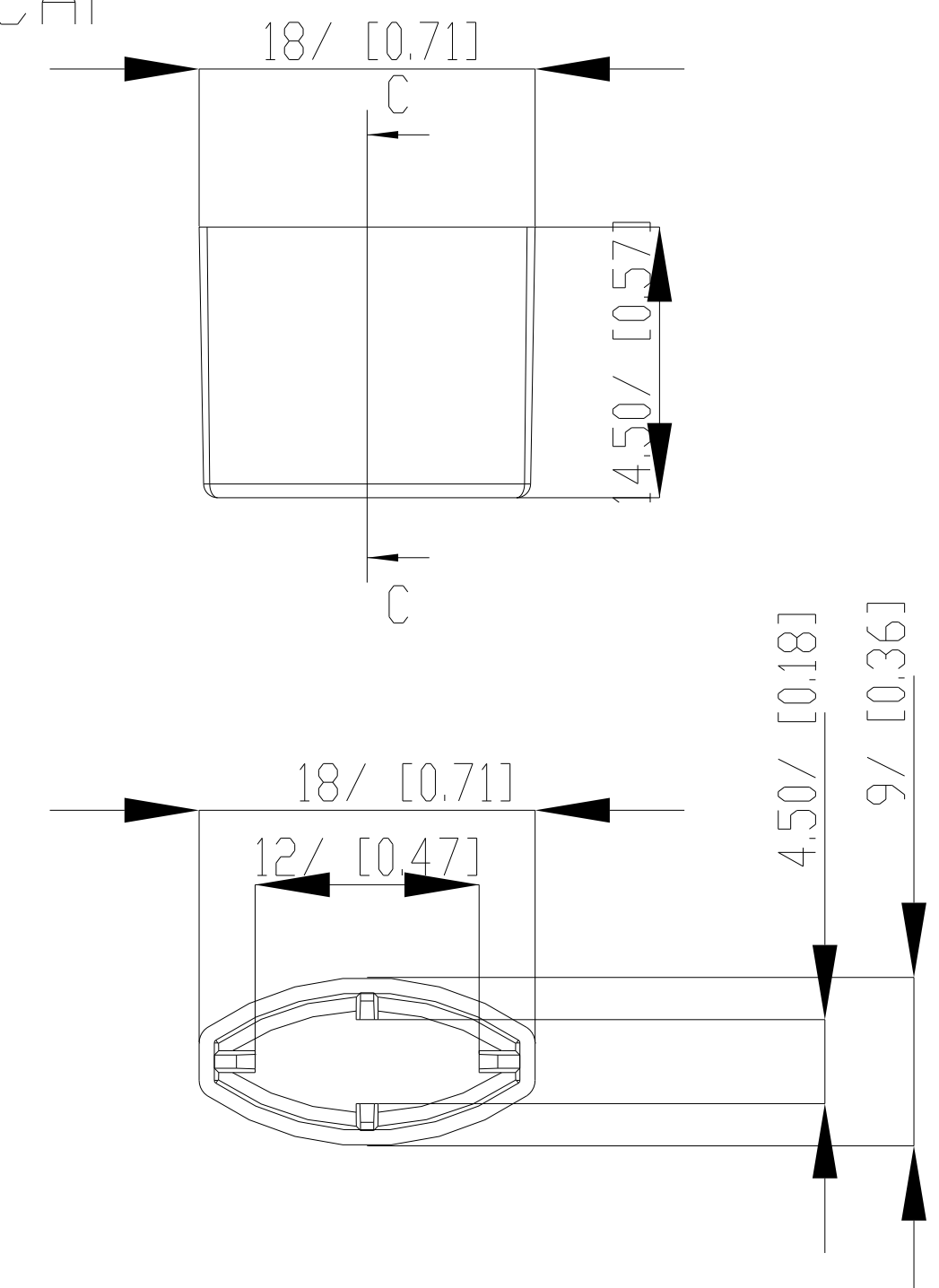


COVER



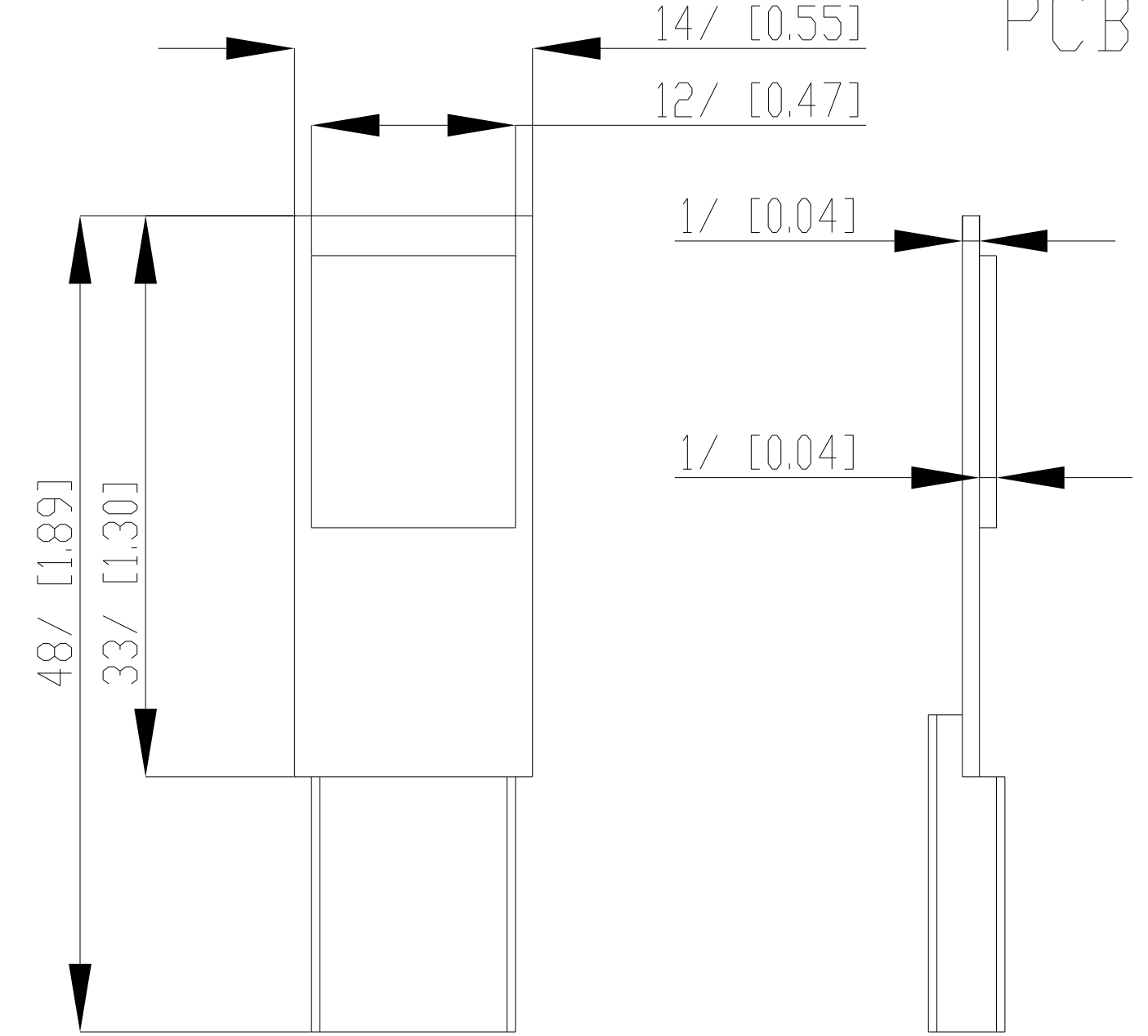
SECTION A-A  
SCALE 1.5 : 1

CAP



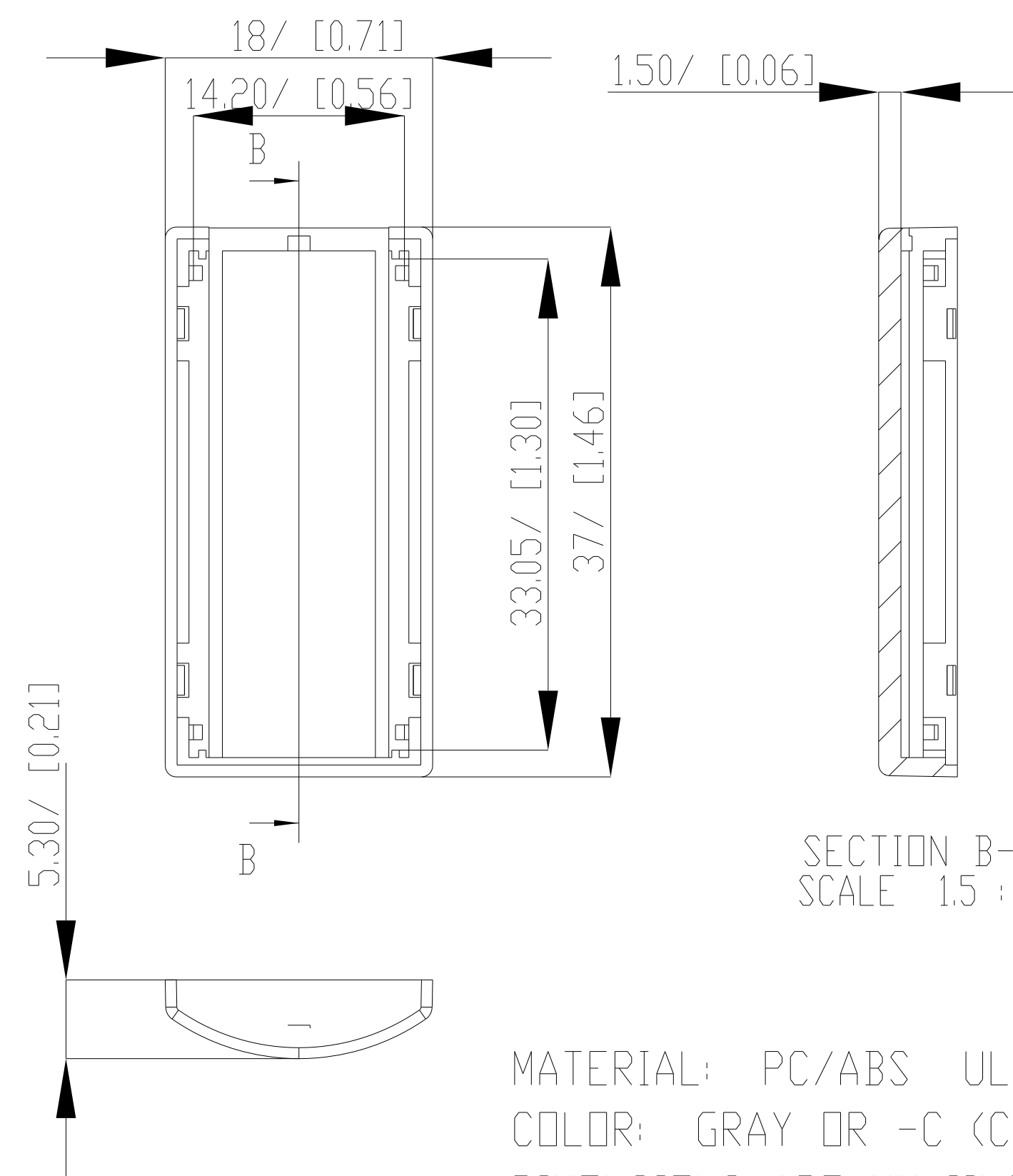
SECTION C-C  
SCALE 1.5 : 1

PCB



PCB (NOT SUPPLIED)

BASE



SECTION B-B  
SCALE 1.5 : 1

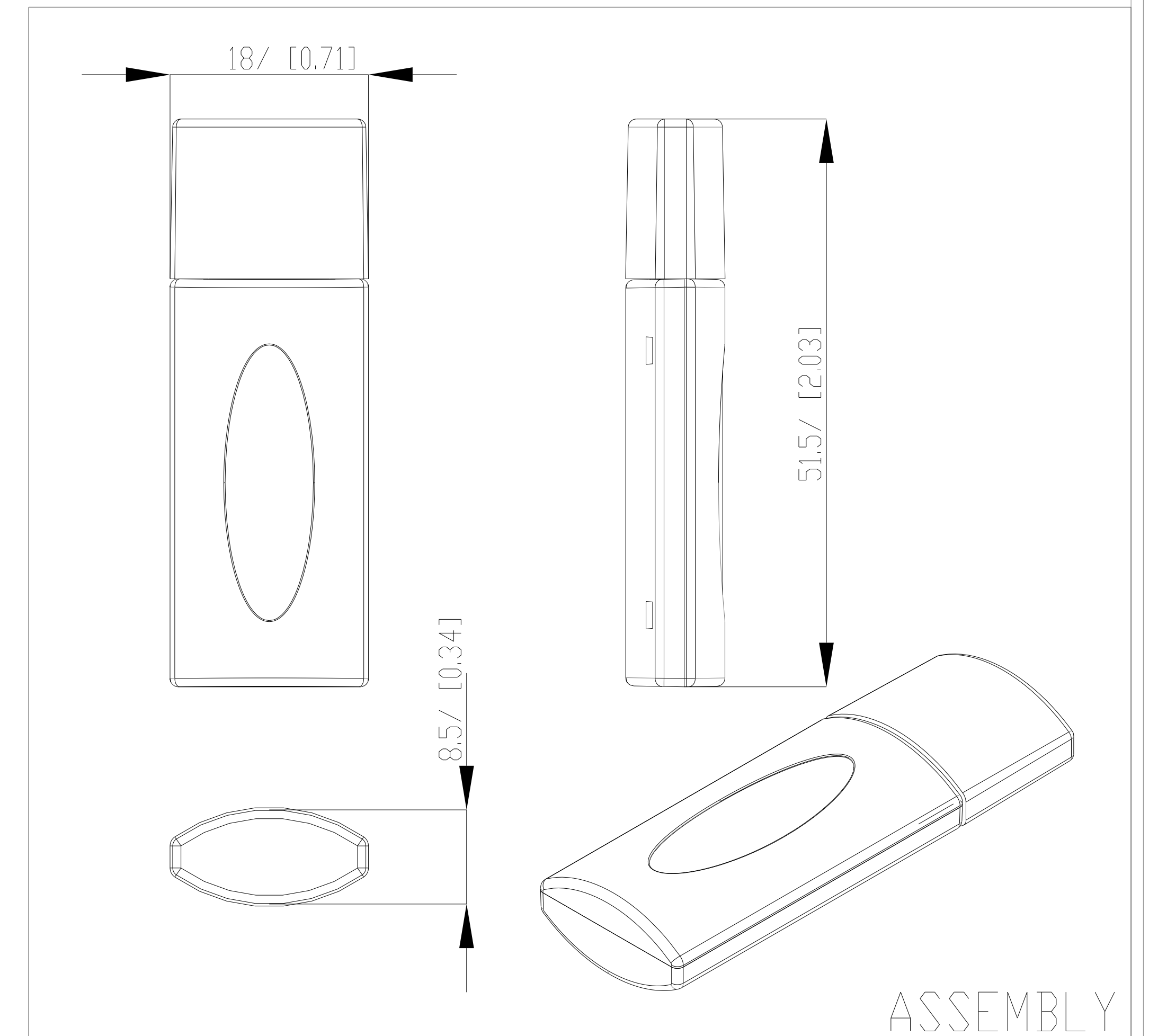
MATERIAL: PC/ABS UL94-V0

COLOR: GRAY OR -C (CLEAR)

DIMENSIONS ARE MM [INCH]

NOTE: ALL DIMENSIONS HAVE ±0.015 TOLERANCE UNLESS OTHERWISE SPECIFIED.

DRAWING FOR REFERENCE  
WE RESERVE THE RIGHT TO MAKE CHANGES TO OUR  
STANDARD PRODUCTS. PLEASE CONSULT WITH BUD INDUSTRIES  
PRIOR TO USING THIS DRAWING FOR DESIGN PURPOSE



ASSEMBLY